



CTC Economic

Ultra-efficient hot water heater with Heat Injection technology – models: 120, 200, 300



Efficient hot water production with minimal heat loss.

CTC Economic is a series of hot water heaters with flexible installation solutions. The heaters are available in 3 sizes: 95, 160 and 230 litres.

CTC Economic hot water heaters have a stylish design and the same high-quality construction and materials as CTC's heat pumps. All pipes are concealed for a neat and tidy installation. Accessory kit available for concealed top connection.

By using Heat Injection technology, CTC Economic ensures efficient and fast heating of domestic hot water. Since CTC Economic produces hot water faster and more efficiently than standard heaters, you can therefore select a smaller heater when replacing your old one.

In order to satisfy the strict requirements in the Ecodesign Directive, the mixing valve is side-mounted to the heater, which minimises heat loss, and it is additionally insulated with neoprene insulation of the highest class.

CTC Economic hot water heaters are so well-enclosed that they are rated with Ingress Protection 44, which means they can be installed in 'damp rooms' such as laundry rooms and bathrooms. The water heaters can be installed in most DHW systems where the chlorine content of the water does not exceed 50 mg/l and the pH value is not lower than 7.5.

Ecodesign data scale (A+ to F).

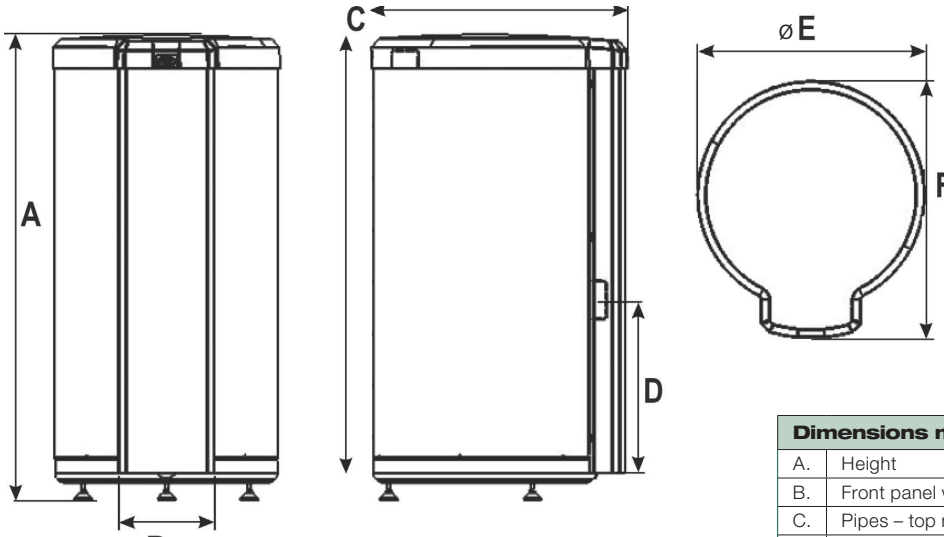
Benefits:

- Eco-friendly and highly-efficient hot water production owing to Heat Injection technology
- Available in three sizes
- Stainless steel water tank
- Easy installation with flexible connection
- Satisfies the Ecodesign Directive
- Minimal heat loss
- Stylish design
- Concealed pipes

ENERGY
FLEX

Find a CTC distributor in your country
www.ctc-heating.com

Dimensions diagram



Delivery includes:

CTC Economic with manual

Accessories:

Installation Kit for Top Mounting

EN120 RSK no.: 6922789

EN200 RSK no.: 6922790

EN300 RSK no.: 6922791

Electronic Limescale Remover

RSK no.: 6246325

| Dimensions mm / model | | 120 | 200 | 300 |
|-----------------------|-----------------------|-----|------|------|
| A. | Height | 770 | 1170 | 1620 |
| B. | Front panel width | 310 | 310 | 310 |
| C. | Pipes – top mounting | 715 | 1115 | 1565 |
| D. | Pipes – side mounting | 500 | 500 | 500 |
| E. | Diameter Ø | 584 | 584 | 584 |
| F. | Depth | 670 | 670 | 670 |

Additionally insulated with neoprene insulation of the highest class: A-S1d0

Side-mounted valve for minimal heat loss

Heat Injection technology. Should the water heater empty completely, there is only a short waiting time before you have plenty of hot water again.



Connection via top mounting (accessory) is fully concealed. The pipe is run through ducts in the cover and the connection is fully concealed by the front panel

Universal mounting
Choose between right-hand side or left-hand side mounting, or fully concealed top mounting

| Technical data 1x230V | | 120 | 200 | 300 |
|---|--------|---------------|---------------|---------------|
| CTC no.: | | 587100001 | 587101001 | 587102001 |
| Dimensions (depth x width x height) | mm | 670x584x770 | 670x584x1170 | 670x584x1630 |
| Weight | kg | 35 | 45 | 63 |
| DHW connection | mm | 15 | 15 | 15 |
| Electrical data | | 230V 1N~ 50Hz | 230V 1N~ 50Hz | 230V 1N~ 50Hz |
| Rated output, electrical | kW | 1.95 | 1.95 | 3.01 |
| Water volume | litres | 95 | 160 | 230 |
| Max. operating pressure | bar | 10 | 10 | 10 |
| Ingress protection class | | IP 44 | IP 44 | IP 44 |
| Load profile | | L | XL | XL |
| Energy efficiency class (Ecodesign data scale: A+ to F) | | C | D | C |
| Energy efficiency $[\eta_{WH}]$ | % | 38 | 38 | 38 |
| Annual energy consumption [AEC] | kWh | 2729 | 4416 | 4395 |
| Thermostat setting $[T_{SET}]$ | °C | 60 | 50 | 55 |
| Noise level indoors $[L_{WA}]$ | dB | 15 | 15 | 15 |
| Daily electricity consumption $[Q_{elec}]$ | kWh | 12.660 | 20.110 | 20.020 |
| Mixed volume 40 °C DHW $[V_{40}]$ | litres | 146 | 224 | 375 |

Approved in accordance with Regulation (EU) 814/2013.

Energy labels and data sheets can be downloaded from www.ctc.se/Ecodesign.